

Exhaust fumes

Hose Reel GTE and GTS

5, 7½ m or 10 m in ø80 – ø200 mm

The strict requirements to a healthy working environment in the workshop demand the use of local exhaust ventilation. For this purpose, Hose reel, type GTE and GTS, makes the optimum choice.

The Geovent Hose Reels, type GTE or GTS, is used for extraction of exhaust gases, welding smoke, etc. The advantage of using this principle, is that an extraction hose is always available and rolled out hoses do not take up space on the floor.

Geovent type GTS (Spring driven) and GTE (Electric) is a series of Hose Reels, based on a common platform, so that the Reel can be easily upgraded from spring driven to electric. Furthermore, we “only” produce the Reel in one width (1000mm), and it fits on both ø80, ø100, ø125 and ø150 mm in lengths up to 10m. The common platform means that we can offer fast delivery times, high flexibility and a high quality product at competitive prices. Feather more, we produce special editions of GTE, see next page for details.

Hose reel GTS is provided with a strong steel spring that works by spring loading in the same way as for a roller blind .

The Hose Reels is a sturdy, yet light construction, consisting of galvanized and powder enameled parts, which ensures a long service life. A spherical ball bearing make trouble-free and easy operation.

The Geovent Hose Reels is practically maintenance-free. However, the various moving parts have to be controlled for wear and correct mounting regularly.



Technical data:

- Painted parts: Side panels on the drum is as standard powder painted gray RAL 7015
- Galvanized parts: Drum, cover, bracket and all nuts and bolts are galvanized
- Hose: Exhaust hose with nylon spiral. The hose can be crossed to a certain extent. Temperature range: up to 150°C - temporarily to 170°C.
- Special hoses on request

GTS – same data as above, but with:

- Heavy duty steel spiral - pulling force 15 kg
NB: Max-mounting height 5-6 m

GTE – same data as above, but with:

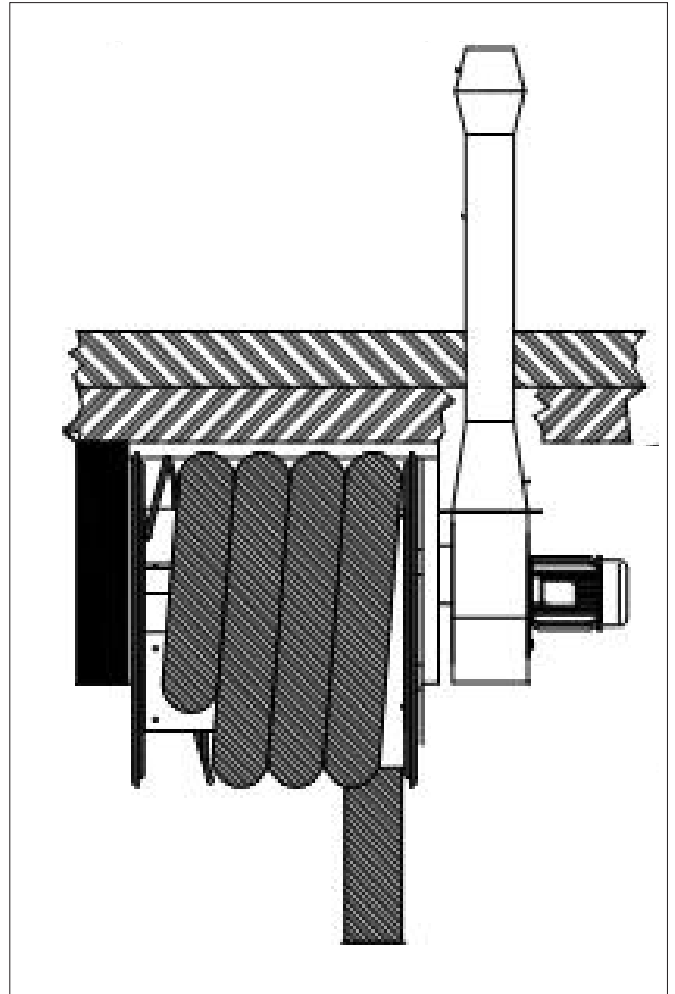
- Power supply: 230V/50-60Hz
- Power Consumption: 170W
- Frequency: 433MHz
- Protection: IP 20 (dry rooms)
- NB: There may be problems with the operation of the remote control, related to overhead cranes (interference)
- Lift capacity about 25 kg

Special Roll - GTE:

- Available in \varnothing 200 mm, width 1400 mm .
- Extended version with width 1400 mm with 15 m hose.

Accessories:

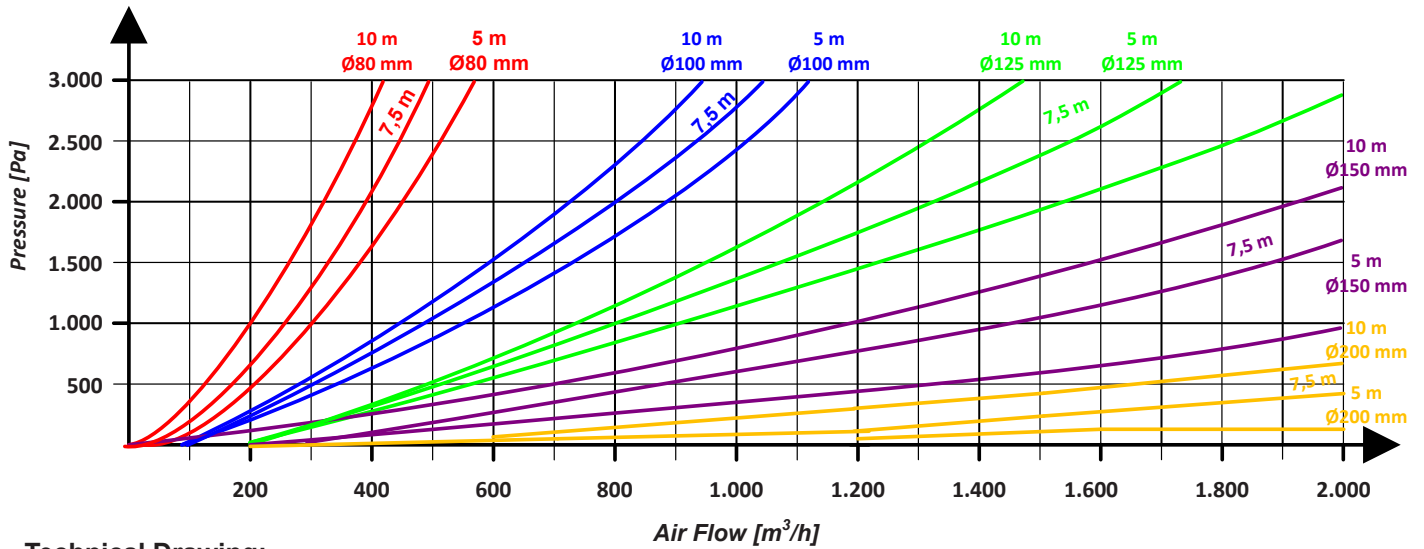
- Switch for automatic start/stop - 04-293
- Nozzles - See our large selection
- All accessories is sold separately.



Flange fan MSQ:

You can connect Hose reel GTE and GTS to GEOVENT flange fan MSQ-200 with automatic start/stop of the fan. The fan is mounted using a mounting flange of 4 pcs. M8 screws. When the hose is rolled out, the fan starts until the hose is rolled back in (requires use of the switch for automatic start/stop - optional).

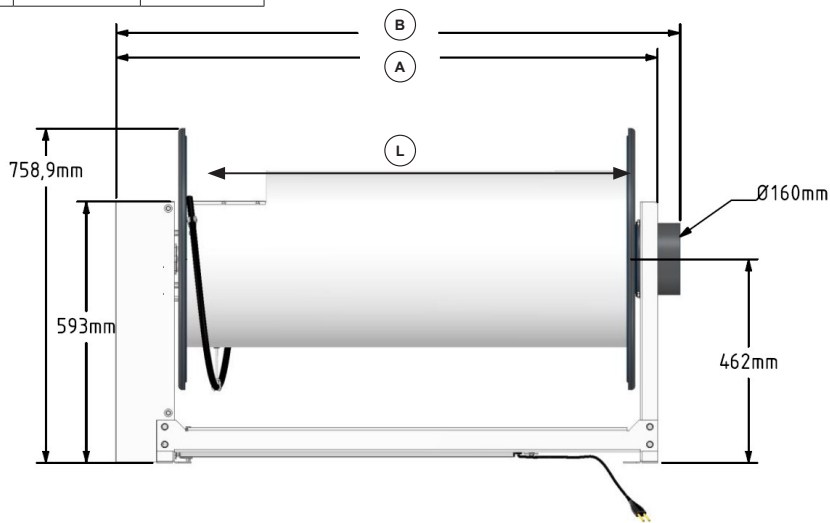
On the fan square flange on the right, the outlet flange is mounted \varnothing 200 / \varnothing 160 (going from square to round). Then the exhaust air will go further out through wall or ceiling. We can supply Hose reel and fan fully assembled - ready to be put into the socket. Select 1 phase (1x230V) fan and switch for automatic start/stop.



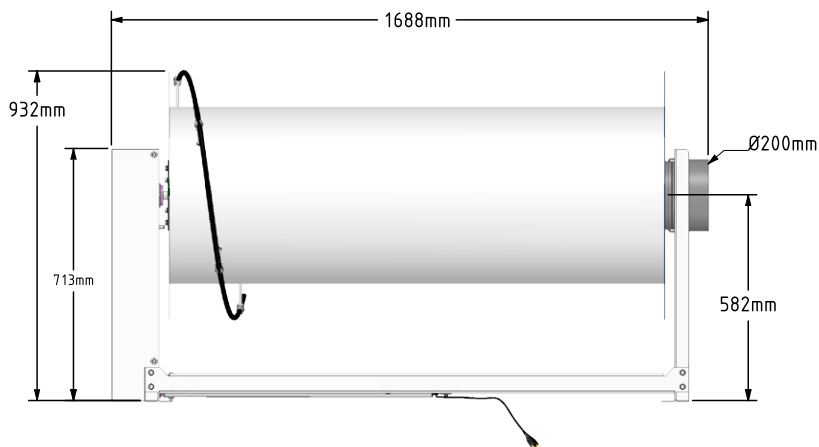
Technical Drawing:

Hose reel $\varnothing 80$, $\varnothing 100$, $\varnothing 125$, $\varnothing 150$ mm

Rulle	L	A	B
$\varnothing 750$	750 mm	980 mm	1031 mm
$\varnothing 1000$	1000 mm	1230 mm	1281 mm
$\varnothing 1400$	1400 mm	1630 mm	1681 mm



Hose reel $\varnothing 200$ mm



Booking Summary:

GTS

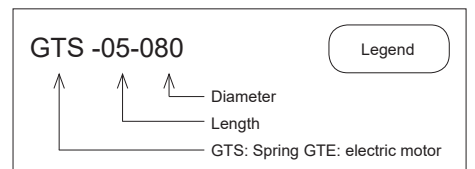
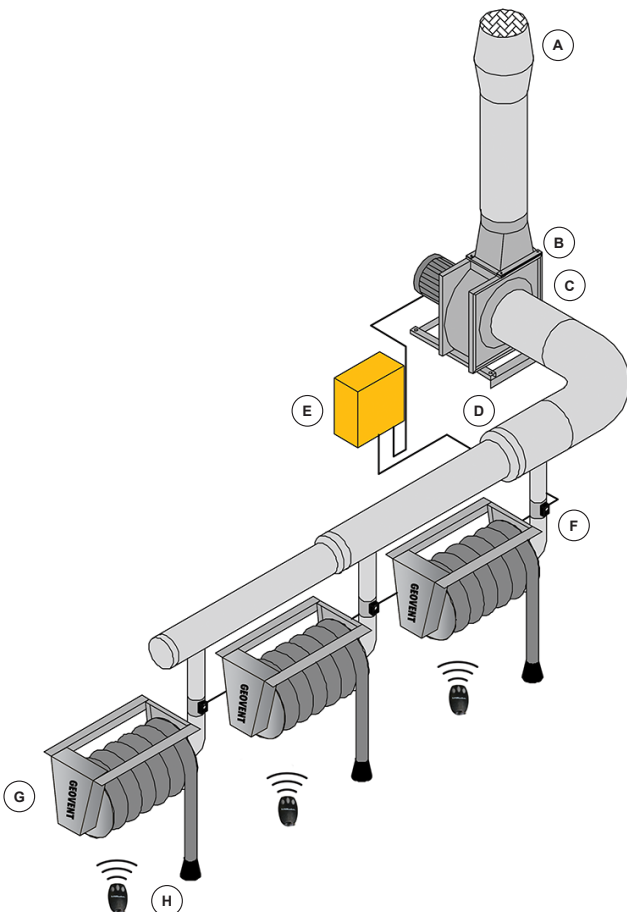
Manual spring operated hose reel incl. hose, ready to be mounted.

Art no.	Description
04-700	GTS-05-080
04-701	GTS-07-080
04-702	GTS-10-080
04-703	GTS-05-100
04-704	GTS-07-100
04-705	GTS-10-100
04-706	GTS-05-125
04-707	GTS-07-125
04-708	GTS-10-125
04-709	GTS-05-150
04-710	GTS-07-150
04-711	GTS-10-150

GTE

Remote controlled hose reel (1x230V, 50Hz) incl. hose, ready to be mounted.

Art no.	Description
04-714	GTE-05-080
04-715	GTE-07-080
04-716	GTE-10-080
04-717	GTE-05-100
04-718	GTE-07-100
04-719	GTE-10-100
04-720	GTE-05-125
04-721	GTE-07-125
04-722	GTE-10-125
04-723	GTE-05-150
04-724	GTE-07-150
04-725	GTE-10-150
04-730	GTE-1400-15-100
04-731	GTE-1400-15-125
04-732	GTE-1400-15-150
04-735	GTE-200-1400-05-200
04-736	GTE-200-1400-07-200
04-737	GTE-200-1400-10-200
04-738	GTE-200-1400-15-200



Example

- A: Outlet with jet hood
- B: Outlet flange
- C: Fan MSFG
- D: Wall mounting bracket
- E: Start/stop control LWS
- F: Quick turning damper \varnothing 160
- G: Hose Reel GTE
- H: Rubber Nozzle

OPTIONAL:

Start/stop switch for fan and open/close motor damper