

Breathe In...

Hood Positioning Device (HPD):
Articulated Extraction Arm



Fresh Air By Design



Hood Positioning Device (HPD): Articulated Extraction Arm



A flexible, self supporting extraction arm, engineered to carry a range of hood and hose combinations.

- Twin supports allow simple fixing of a solid or flexible hose in various diameters
- Support clips allow duct or hose to be easily removed for cleaning and reinstallation
- Increased surface area of all joints gives a much lighter feel to the HPD, enabling easier positioning with the HPD self supporting in its required placement
- Rear mechanism is cased for improved safety and hygiene
- Boom at the rear provides the HPD with a 270 degree pivot, improving the working radius
- Integrated damper allows greater control of the airflow in the extraction system
- ATEX compliant and Stainless Steel versions are available



All Articulated HPDs are offered with a unique free 5 Year Warranty. (Return to Base)

Mounting Brackets:

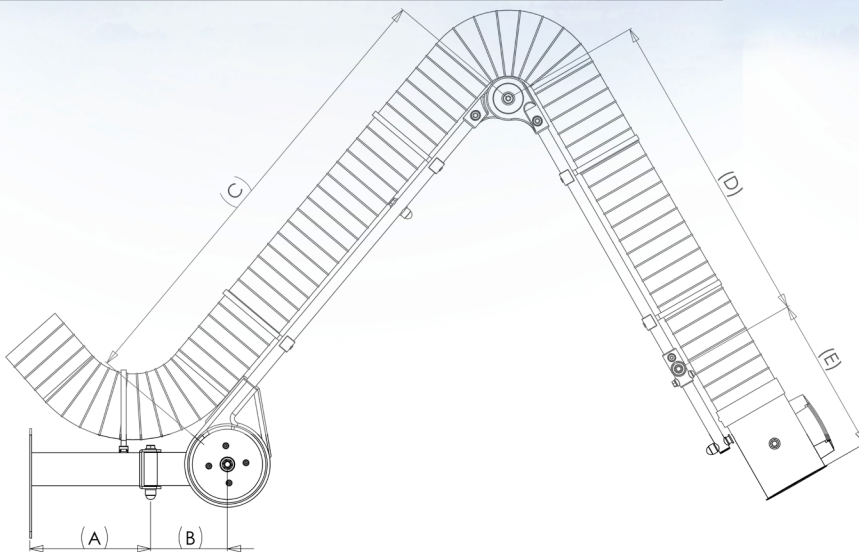
- Standard Wall bracket
- Floor Stanchion
- Ceiling Bracket

Finish:

- Polyester Coated Black
- Texture Conductive Black (ATEX)
- Stainless Steel

HPD Dimensions

HPD (m)	Length (mm)	A	B	C	D	E	Max Reach	Weight (Kg)	Load Capacity
1.8	1800	275	175	825	295	230	1800	12	5
2	2000	275	175	875	575	375	2275	13	5
2.5	2500	275	175	1250	700	375	2775	14	4
3	3000	275	175	1500	950	375	3275	15	3
4	4000	850	175	1500	950	375	3850	18	3



Fresh Air By Design

Brevo B.V.
Dokwerkerstraat 3
2984 BJ Ridderkerk
Telf. : 0180-417344
mail : info@brevo.nl