



PTEX

Telescopic extractor arm, ideal for confined work areas such as welding booths and workbenches.



FUMEX
PURE ADVANTAGE



Telescopic extractor arm for confined work areas

FUMEX PTEX – a compact and flexible telescopic extractor arm with low pressure drop. The extractor arm has a diameter of 125 mm and its length can be extended from 1.3 to 2.1 metres. A gas spring balances the weight of the arm, and PTEX is equipped with an adjustment knob at the upper friction joint, which makes adjustment very easy.

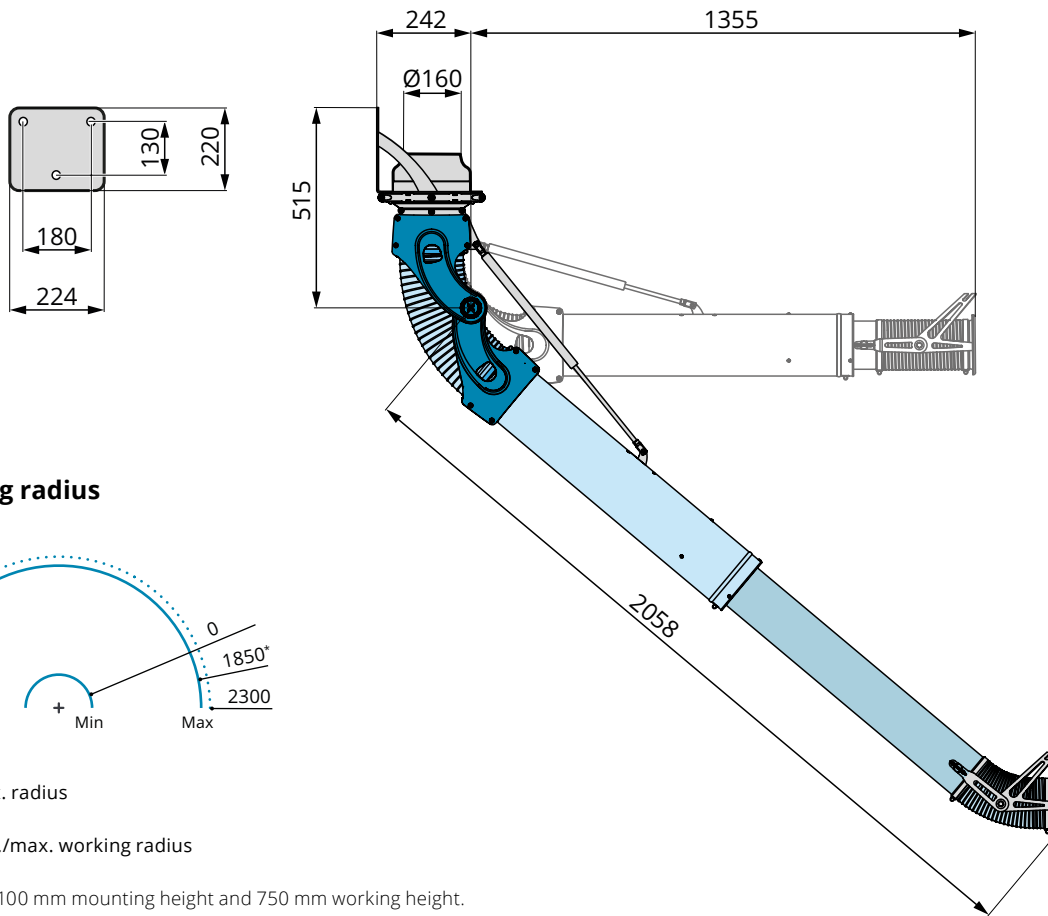
The suction nozzle and manual damper are made entirely of sheet steel with Fumex's simple quick-coupling system for accessories. It can be rotated 360° and angled 90°. In addition, the wall bracket has a 360° swivel function.

The extractor arm is supplied with flame-resistant PVC hose as standard, and, depending on the nature of the work, there is a range of different hoses available.

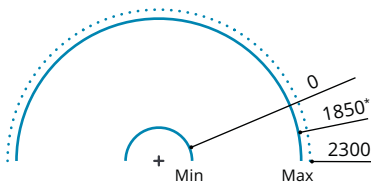
External support arms produce low pressure drop and little risk of blockage. The smooth interior of the suction tube makes PTEX very easy to clean.



FUMEX PTEX is easy to install and comes with accessories for ceiling or floor mounting.

Dimensional drawing (mm)



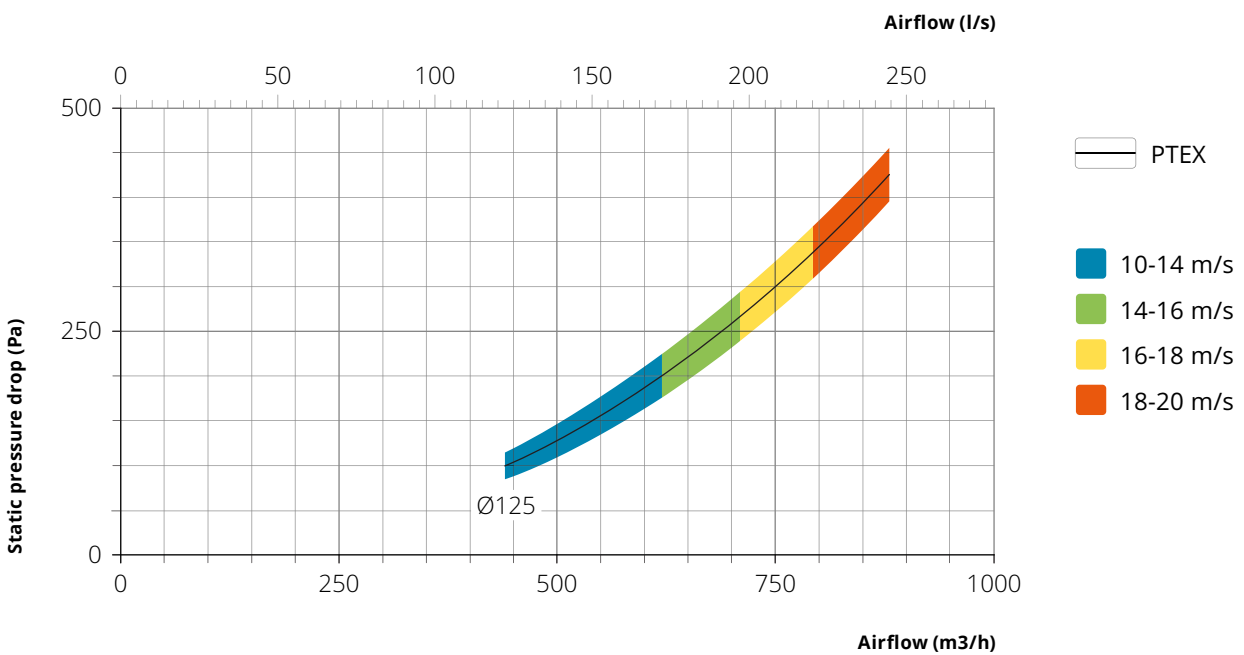
Working radius



-  = Max. radius
-  = Min./max. working radius

* At 2100 mm mounting height and 750 mm working height.

Pressure drop diagram

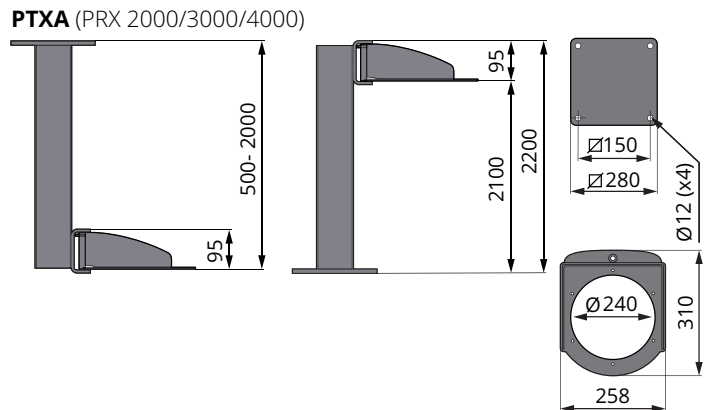


Ceiling and floor brackets

PRX is supplied with wall brackets as standard, and can also be mounted on floors and ceilings.

PTXA

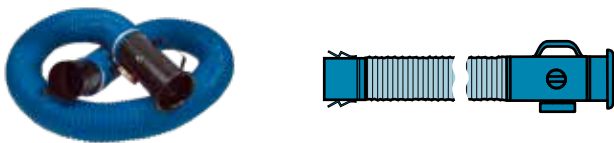
- Ceiling and floor brackets
- Available in lengths of 0.5, 1, 1.5, 2 and 2.2 metres.
- Turns 360°.



Accessories

Extension hose PFS

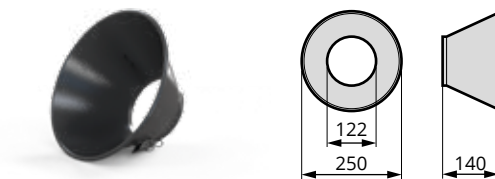
With magnetic nozzle and quick coupling. Flame-resistant hose according to DIN4102B2 (M2).



Article	Ø (mm)	Length (mm)	Weight (kg)
PFS -125/4	125	4000	4
PFS -125/8	125	8000	6

Conical hood PK

Sheet steel hood with quick coupling. Powder coated, anthracite grey.



Specifications

Form of delivery

The extraction arm is supplied partially assembled, including wall bracket, for simple installation.

Hose type

PVC. Flame-resistant, suitable for welding and flue gases. Temperature-resistant between -10°C and +90°C. Other hose quality can be supplied upon request.

Surface treatment

Plastic parts	PA, PA 30% and PEHD-300
Aluminium parts	Powder coated
Steel parts	Black oxidized, electrogalvanized or powder coated.

Weight (excl. hose)

14,1 kg incl. wall bracket and swivel