

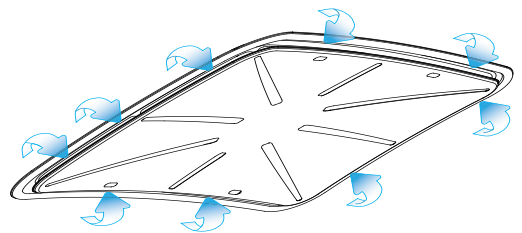
# FUMEX® PRG

## *The ideal extractor for industrial environments.*



Fumex PRG is based upon the PR arm that with new technology in combination with new materials and a focus on design gives Fumex PRG many new and important advantages:

- Unique ease of manoeuvrability.
- High positional stability.
- Hood in PVC designed for maximum capture efficiency and extraction.



PRG's design is based on FUMEX's basic principles:

- External arm support.
- Supplied partially assembled for ease of installation.

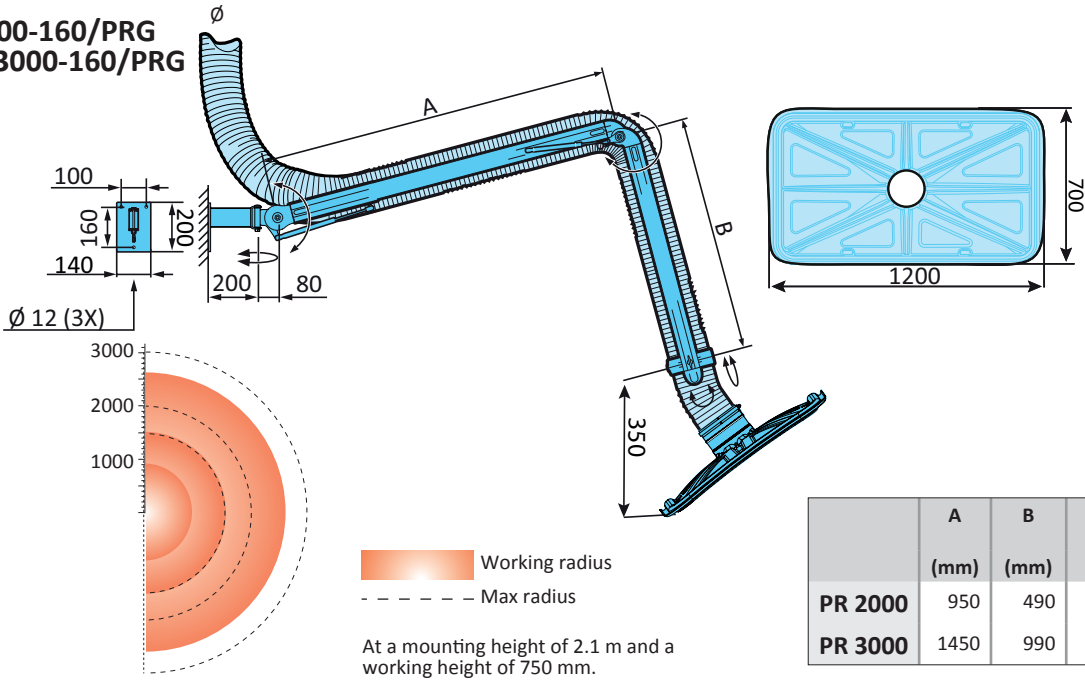
PRG can be equipped with LED lighting and/or switch to control fan/damper.

FUMEX PRG is available in the lengths 2, 3 & 4 m.

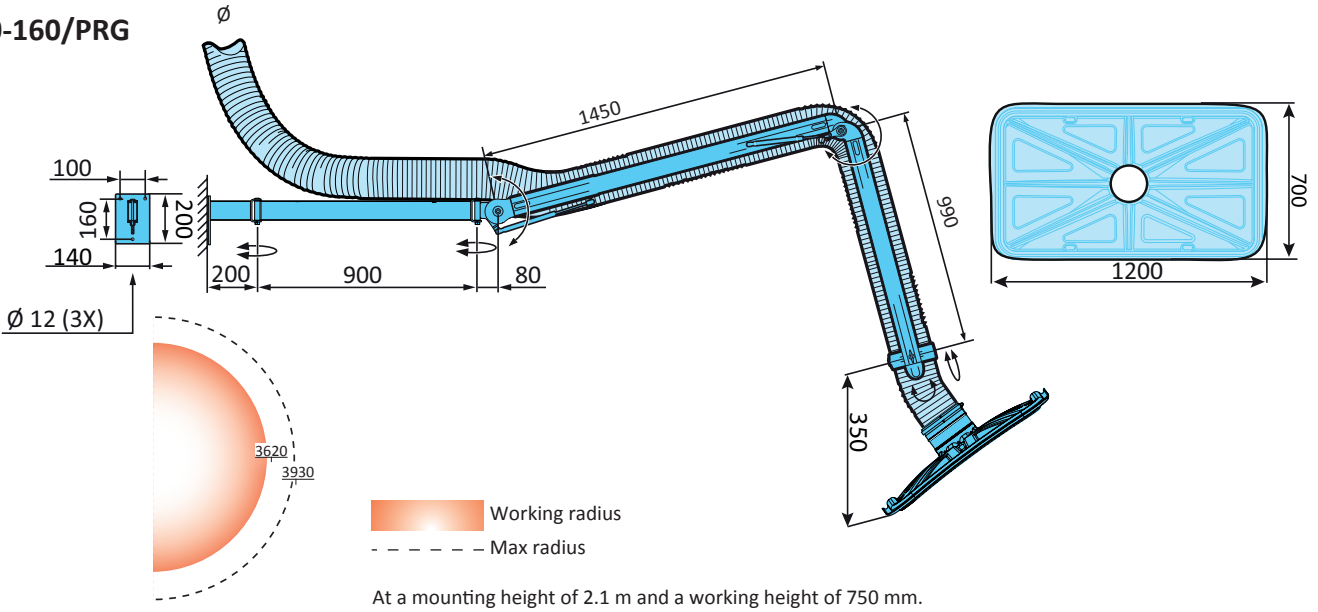
*The Fumex range also includes fans, accessories, automatic control gear and filters for local extraction*

LOCAL EXTRACTORS  
Pure advantages

**PR 2000-160/PRG  
& PR 3000-160/PRG**



**PR 4000-160/PRG**



**Technical data hose**

Properties ..... Non-inflammable, suitable for welding fumes and flue gases.  
 Temperature range ..... -10°C to +90° C.

**Technical data other standards**

Hood.....PVC  
 Plastic components.....PA, PA30%.  
 Aluminium components ..... Anodised.  
 Steel components ..... Black oxidised, chromed or powder coated.  
 Weight ..... PR 2000-160/PRG: 13 kg  
                   PR 3000-160/PRG: 15 kg  
                   PR 4000-160/PRG: 18 kg

**Hose standard**

PVC coated polyamide fabric with fully embedded spring steel coil.

**Delivery configuration**

The arms are supplied partially assembled, including wall bracket, for ease of installation.

**Accessories**

Brackets for ceiling mounting available in the PR leaflet.

